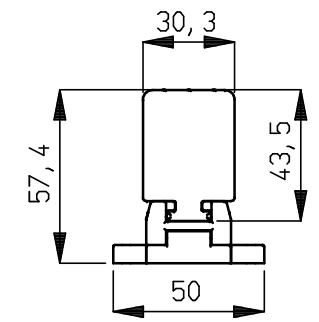
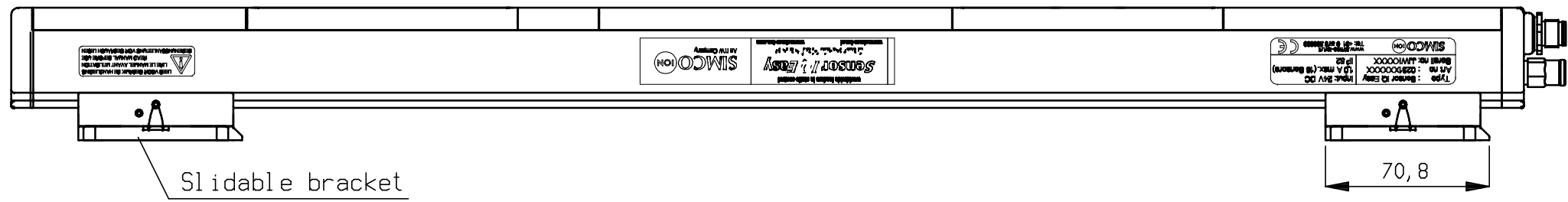
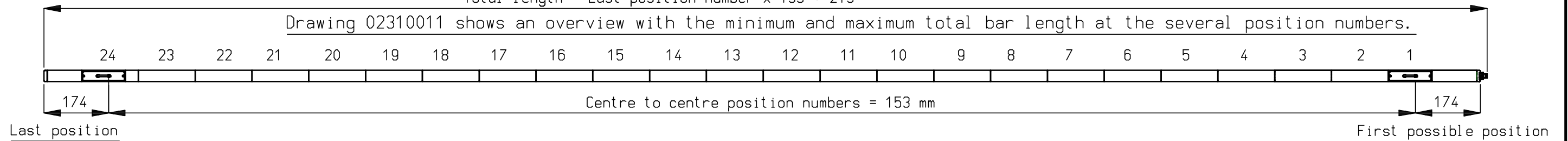


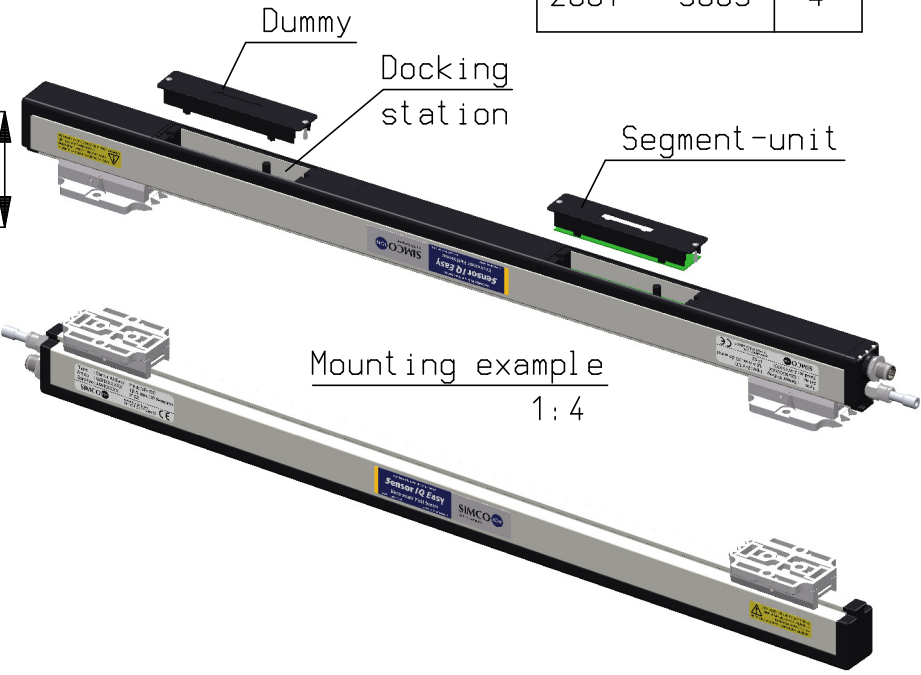
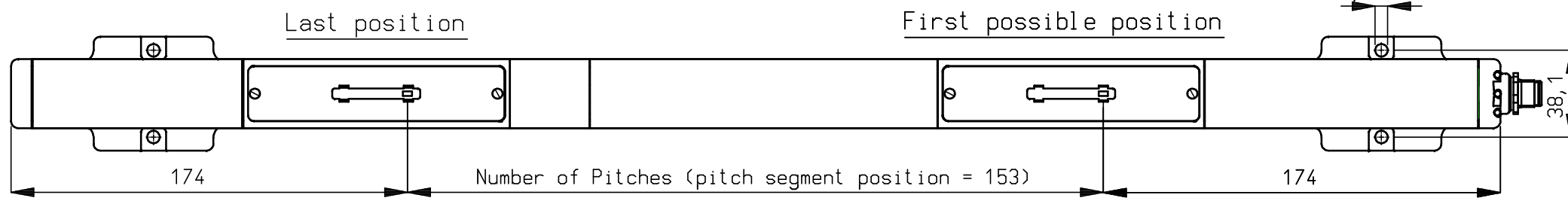
Top View 1:10

Total length = Last position number x 153 + 213

Drawing 02310011 shows an overview with the minimum and maximum total bar length at the several position numbers.

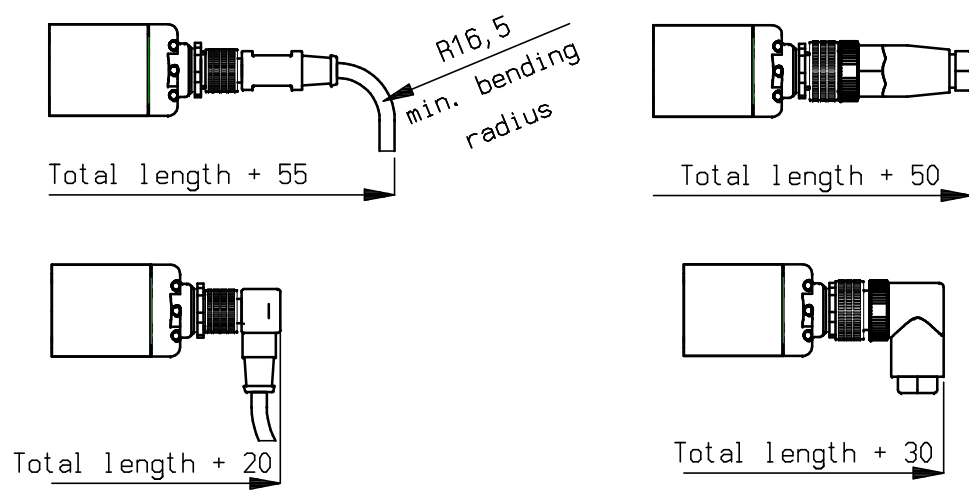


Brackets	
Tot. length	QTY
366 - 1437	2
1590 - 2508	3
2661 - 3885	4



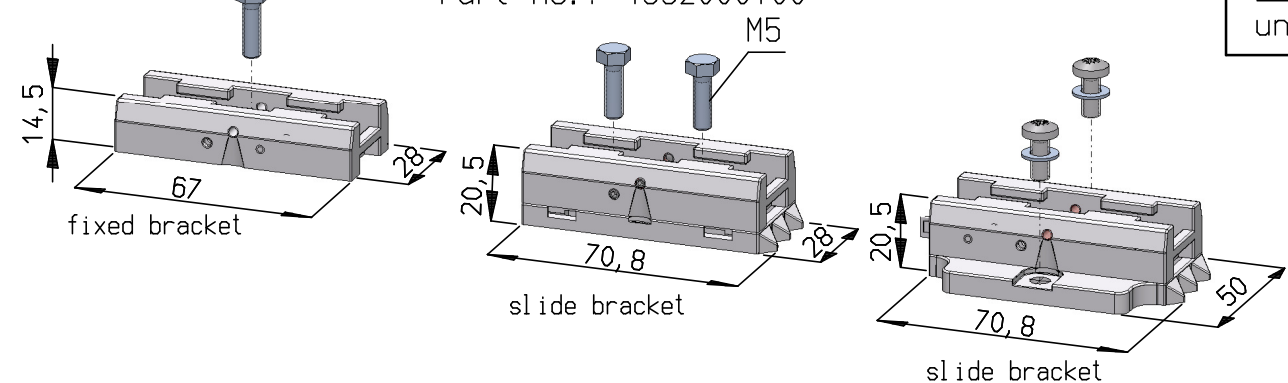
When ordering: 1st. Specify the total length. Minimum 366 mm, maximum 3885 mm
 2nd. Specify the required position number(s) for docking-station(s).
 See also drawing 02310011
 Maximum amount of docking-stations: 16
 3rd. Specify the required position number(s) for segment-unit(s).
 If not specified: segment-unit at each docking-station.

Optional connectors



Mounting bracket Bars - options

Part no.: 4532000100



Plug 9290030006
 unused fitting