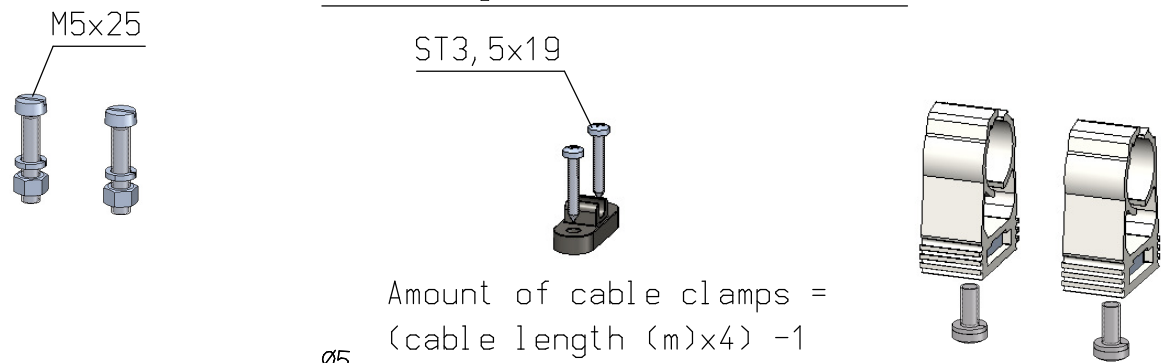
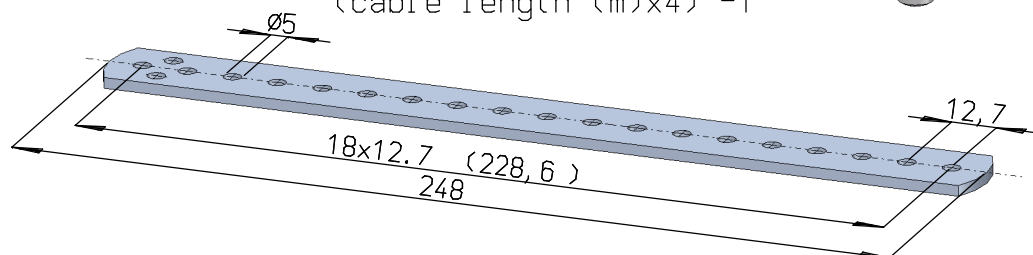


Mounting materials included



Amount of cable clamps =
(cable length (m) x 4) - 1



Supply voltage max. 20 kV DC

 An ITW Company	Name: Pinner Linear 6 Point-JBH (connector for J-Block Head)				Drawn: AB	Part no.: -
	CAD generated NOT updated	Dimensions in mm	Date: 27-8-2015	A3 M: -	ECN-	Check: -