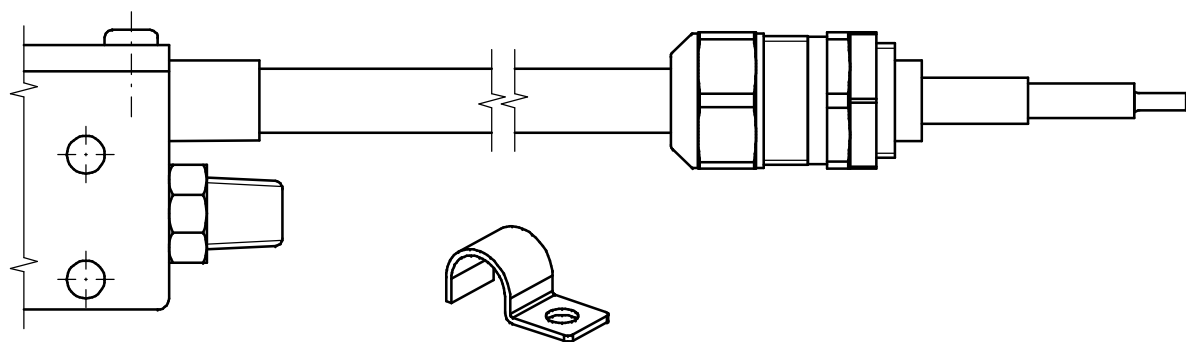


### Cable exit option

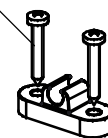
Shielded coaxial cable



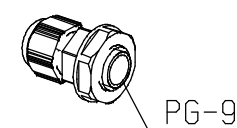
Metal cable clamps included with shielded cable

### Mounting materials included

ST3,5x19

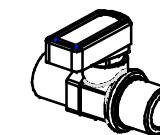


Gland



(only with standard HV-cable)

### Option Valve



Female - female  
1/8 BSP  
Part no.: 9146982101

**SIMCO ION**  
An ITW Company  
www.simco-ion.nl Tel.: +31 (0)573 288333

Name: Ionizing air nozzle type BW 3/8"

CAD generated Dimensions Date: 08-07-2011 A3 M: 1:1



ECN2018-027

Drawn: AB

Part no.: 161100xxxx

Check: -

Dwg. no.: 16110000/C