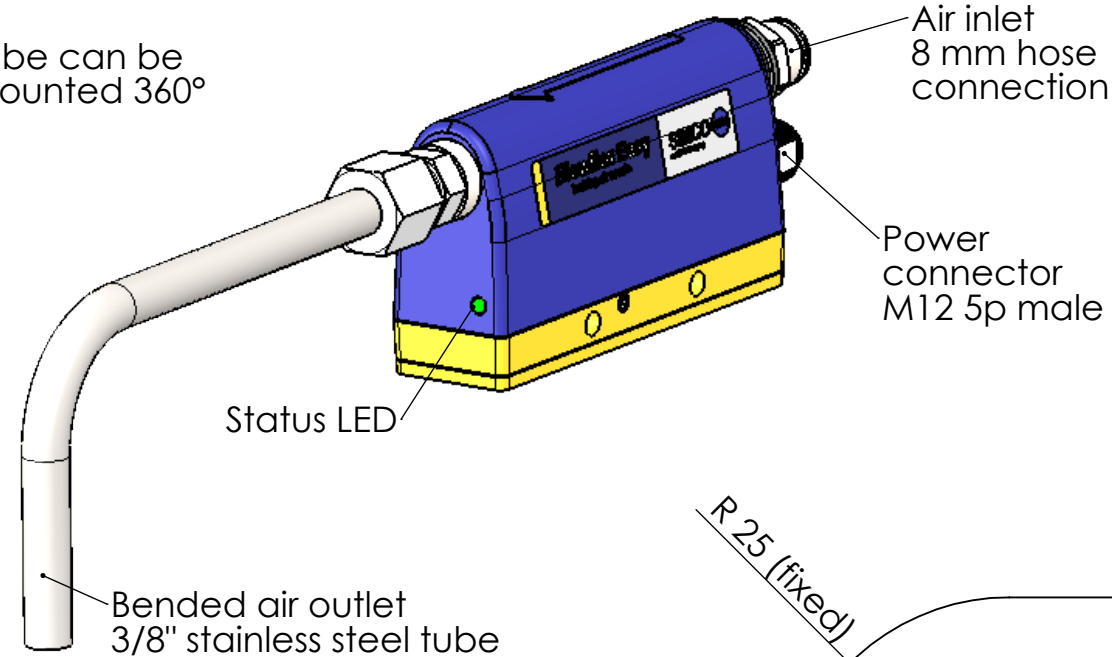
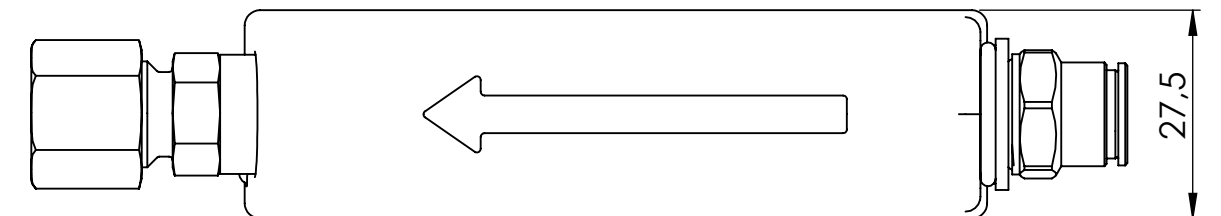
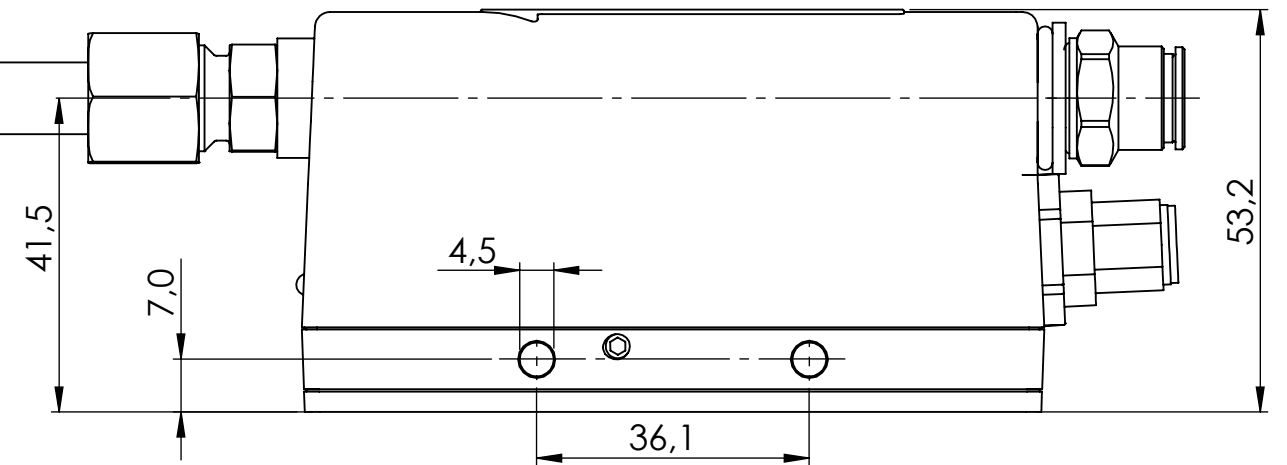
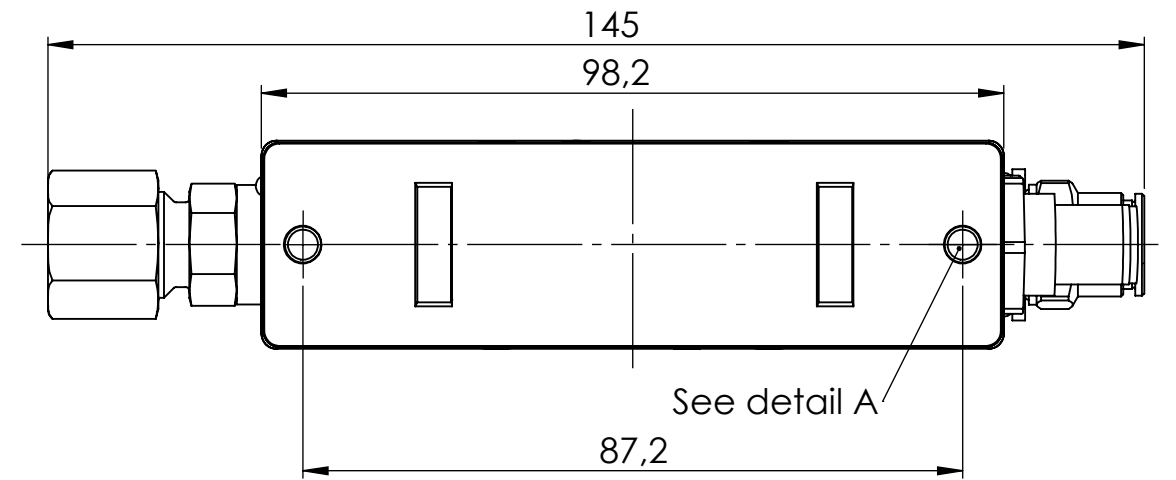
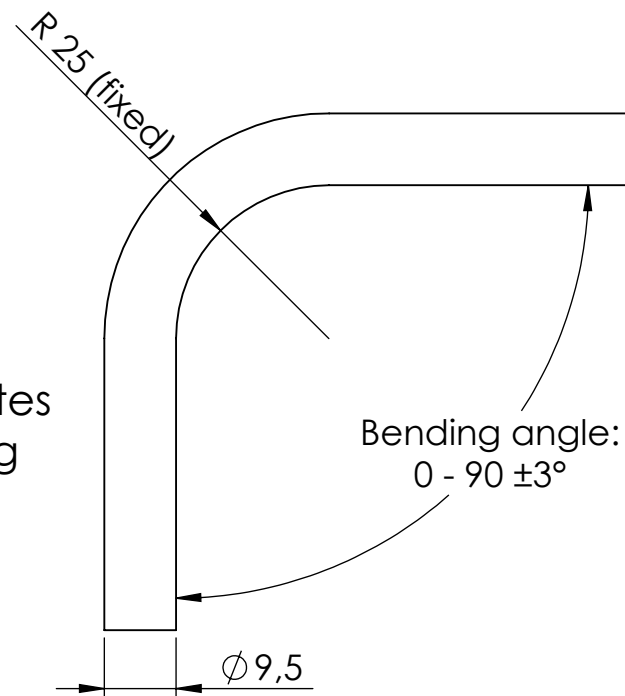


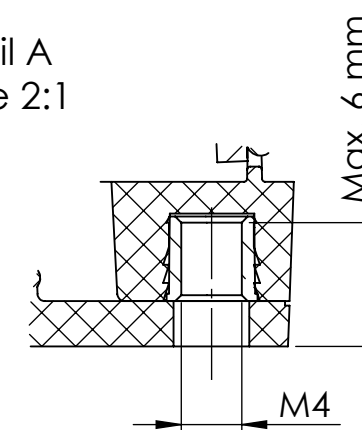
Tube can be mounted 360°



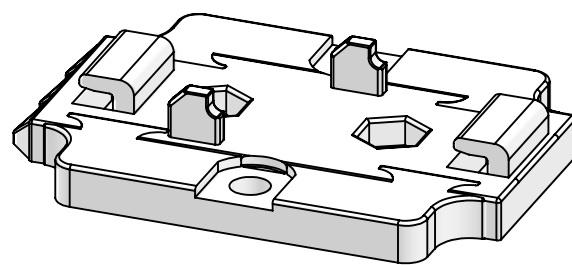
Maximum length of tube: 900 mm
Please add a drawing which indicates the length of tube, place of bending and bending angle.
Only one bend is possible.



Detail A
Scale 2:1



Included:



4532000100 Simco standard mounting bracket



9950000002 Hex screw driver 2.0 mm

Drawing 16160010 shows all mounting variations of the Blowflex Easy

SIMCO ION An ITW Company WWW.SIMCO-ION.NL TEL: +31 (0)573 288333	Name: Blowflex Easy Bended tube 3/8"				Drawn: RJ	Part no.: 1616000012
	CAD GENERATED NOT AUTO UPDATED	Dimensions in mm	Date: 5-11-2021	A3 M: 1:1	ECN-445	Check: HS