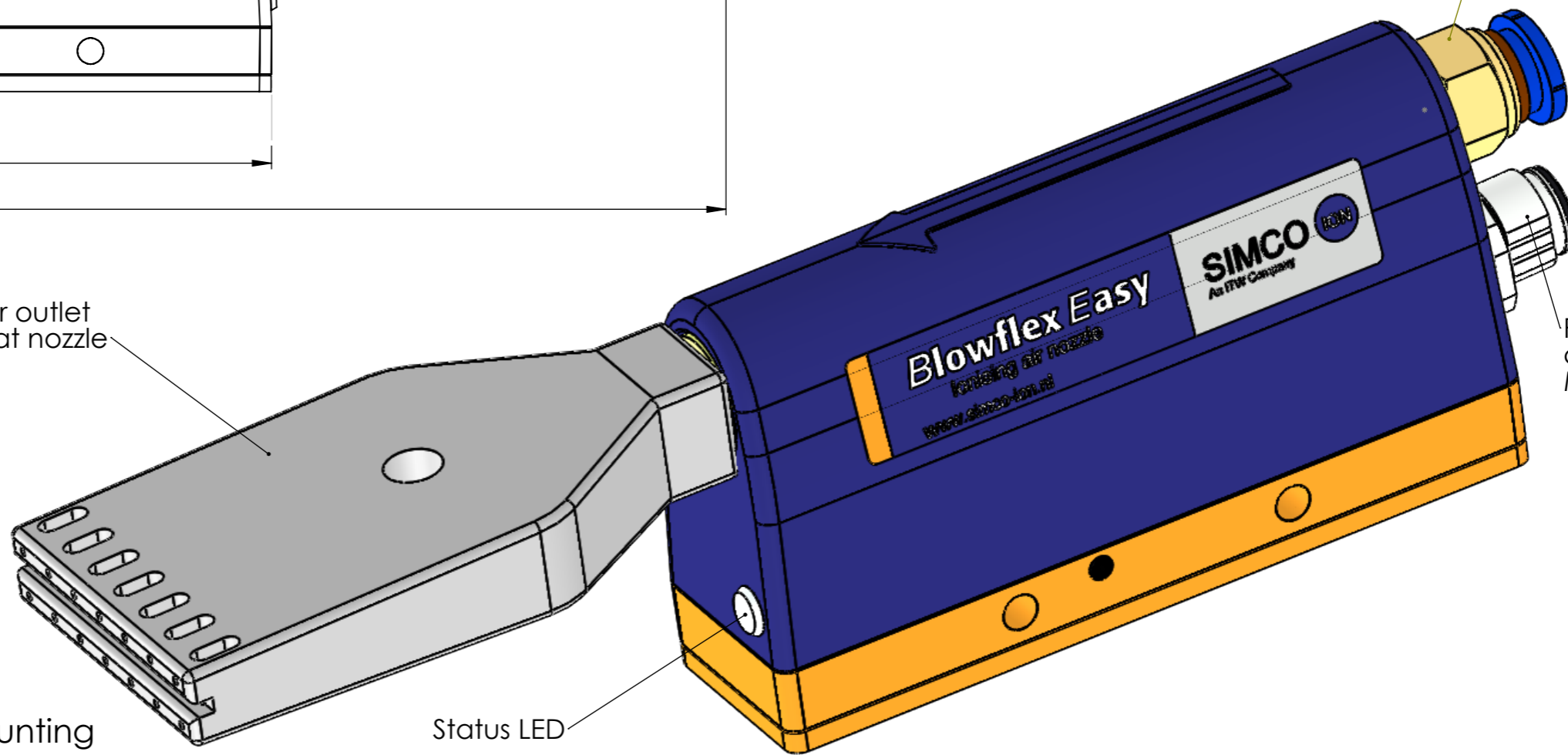


Air outlet
Flat nozzle



Air Inlet
8 mm
Hose connection

Power connector
M12 5p male

Status LED

Drawing 16160010 shows all mounting variations of the Blowflex Easy.

Drawing 16160020 shows the power connection variations.

 An ITW Company	Name: Blowflex Easy Flat nozzle					Drawn: RJ	Part no.: 1616000003		
	CAD GENERATED NOT AUTO UPDATED	Dimensions in mm	Date: 30-12-2020	A3	M: 1:1		ECN-1616	Check: HS	Dwg. no.: 16160003/-