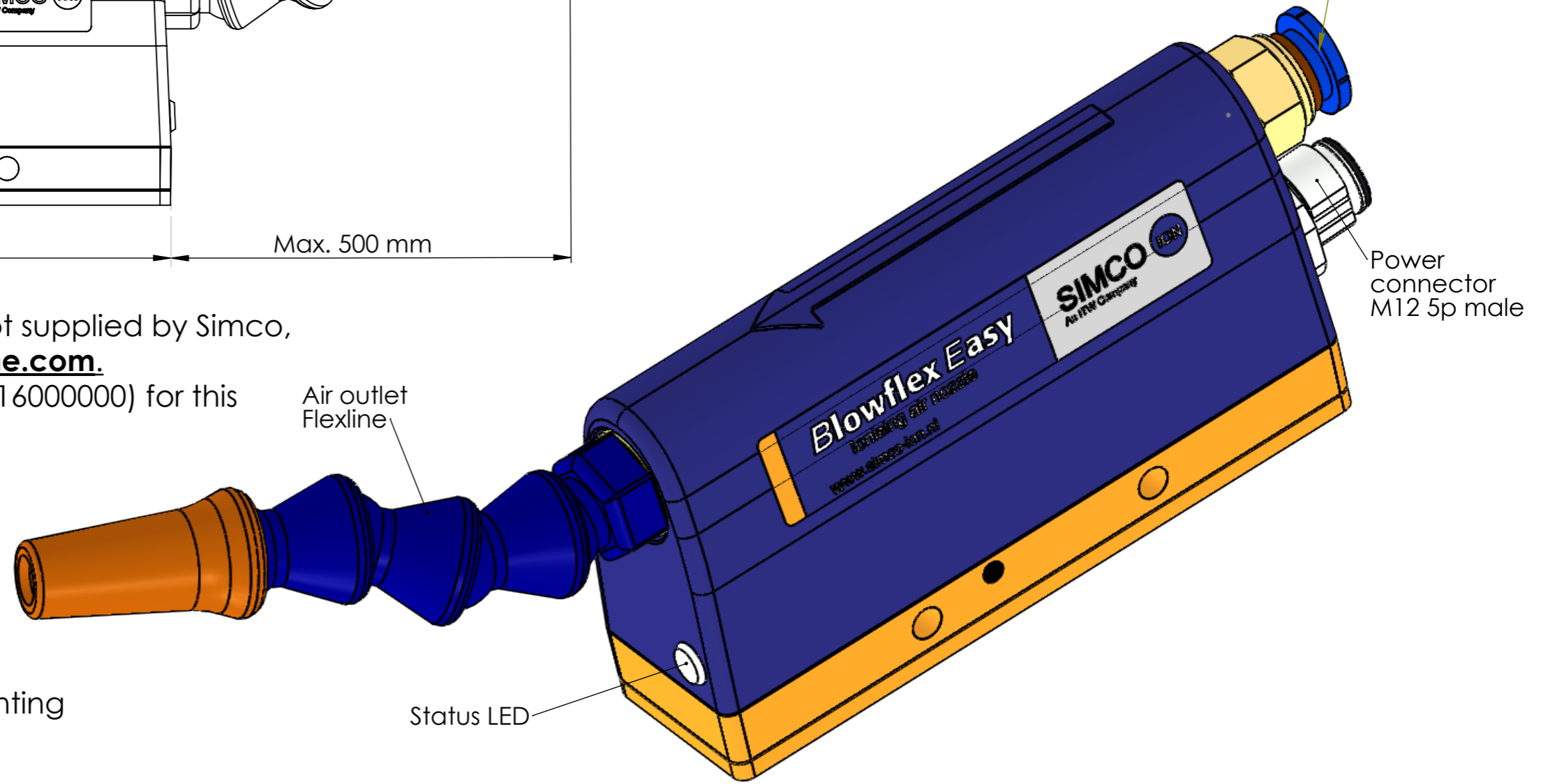


Air inlet  
8 mm  
Hose connection

The Flexline air outlet parts are not supplied by Simco, you can find parts at [www.loc-line.com](http://www.loc-line.com). Order the Blowflex Easy Basic (1616000000) for this configuration.



Drawing 16160010 shows all mounting variations of the Blowflex Easy.

Drawing 16160020 shows the power connections variations.

 An ITW Company	Name: Blowflex Easy Flexline					Drawn: RJ	Part no.:	
	CAD GENERATED NOT AUTO UPDATED	Dimensions in mm	Date: 30-12-2020	A3	M: 1:1	ECN-16156	Check: HS	Dwg. no.: 16160007/-