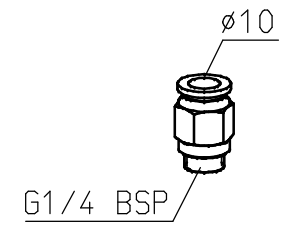
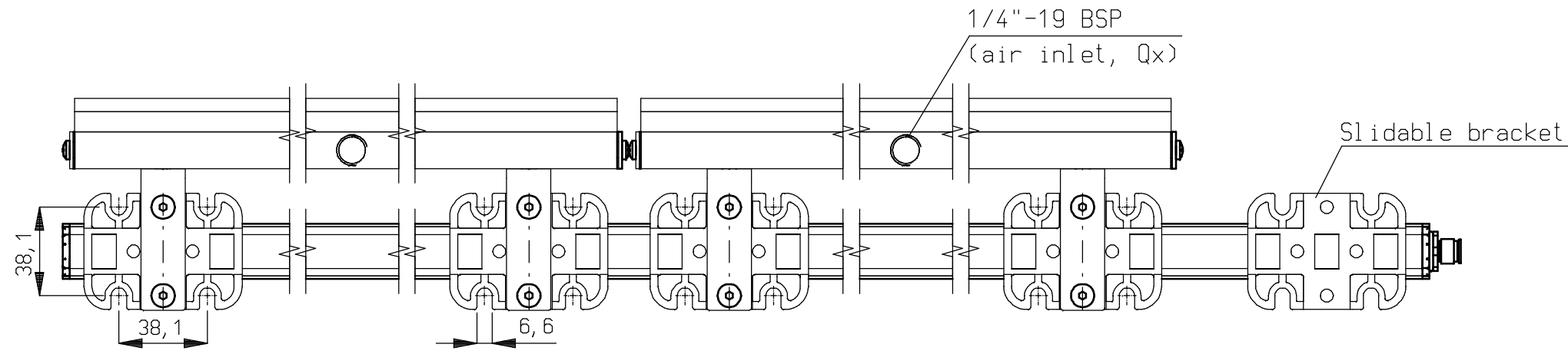
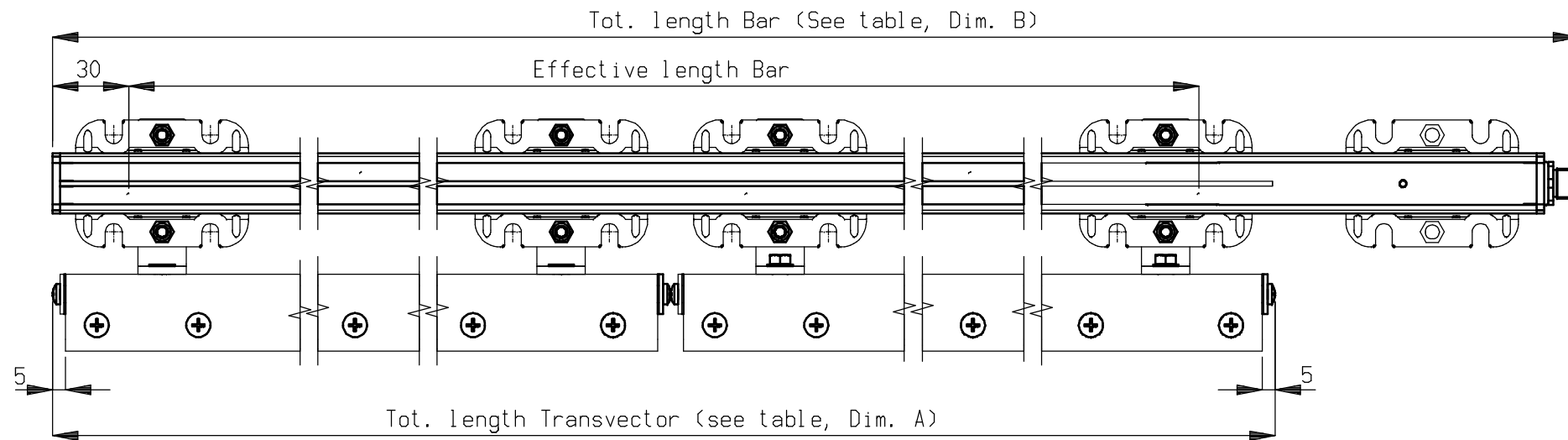
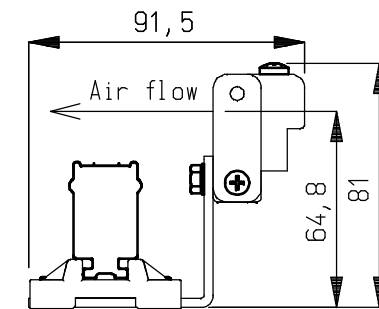
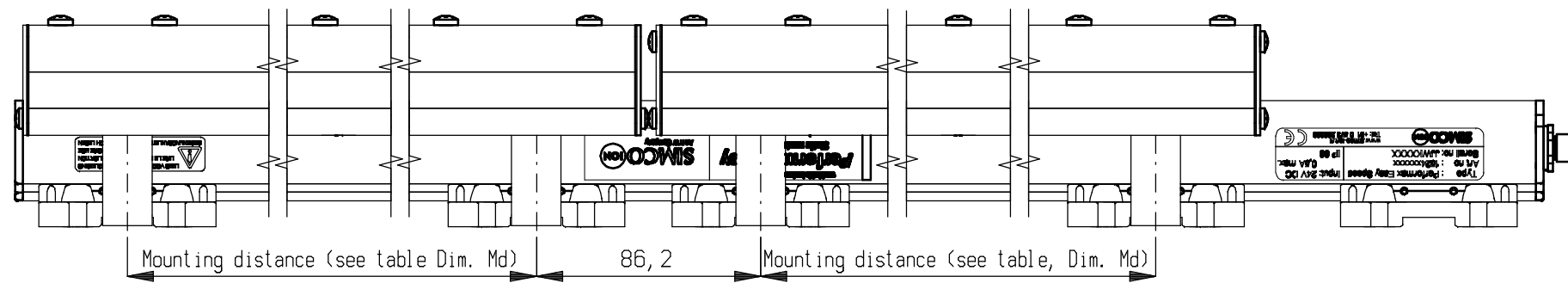


Option: Power Supplies and connectors
see drawing 15246000



Standard air connection



Mounting distance	
Transvector	Md
12"	228,6
18"	381,0
24"	533,4

Table Total length				
Transvector	Dim. A	Dim. B	Q	Bracket
12+18=30"	782,0	900	3	4
18+18=36"	934,4	1080	4	4
18+24=42"	1086,8	1260	4	4
24+24=48"	1239,2	1350	4	4
18+18+18=54"	1401,6	1530	6	6
18+18+24=60"	1554,0	1710	6	6
18+24+24=66"	1706,4	1890	6	6
24+24+24=72"	1858,8	1980	6	6

<p>SIMCO ION An ITW Company www.simco-ion.nl Tel: +31 (0)573 288333</p>	Name: Performax Easy with Transvector 30"- 72"				Drawn: MVN	Part no.: —
	CAD generated NOT updated	Dimensions in mm	Date: 13-9-2011	A3 M: 1:2.5	ECN2012-018	Check: -